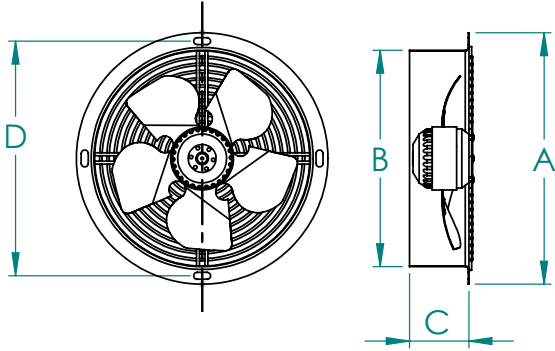


-PDRAF-

DIŐTAN ROTORLU AKŐİYEL FANLAR

MODEL	GERİLİM (VOLT/HZ)	GÜÇ (WATT)	AKIM (A)	DEVİR (d/d)	DEBİ (m3/h)	SES (DBA)
PDRAF-2M-200	230/50	65	0,33	2700	850	70
PDRAF-2M-250	230/50	120	0,51	2580	1620	73
PDRAF-2M-300	230/50	145	0,65	2650	2500	75
PDRAF-2M-350	230/50	210	1,08	2670	4200	78



MODEL	A	B	C	D
PDRAF-2M-200	260	210	87	130
PDRAF-2M-250	312	265	100	144
PDRAF-2M-300	385	325	100	180
PDRAF-2M-350	430	370	100	203

